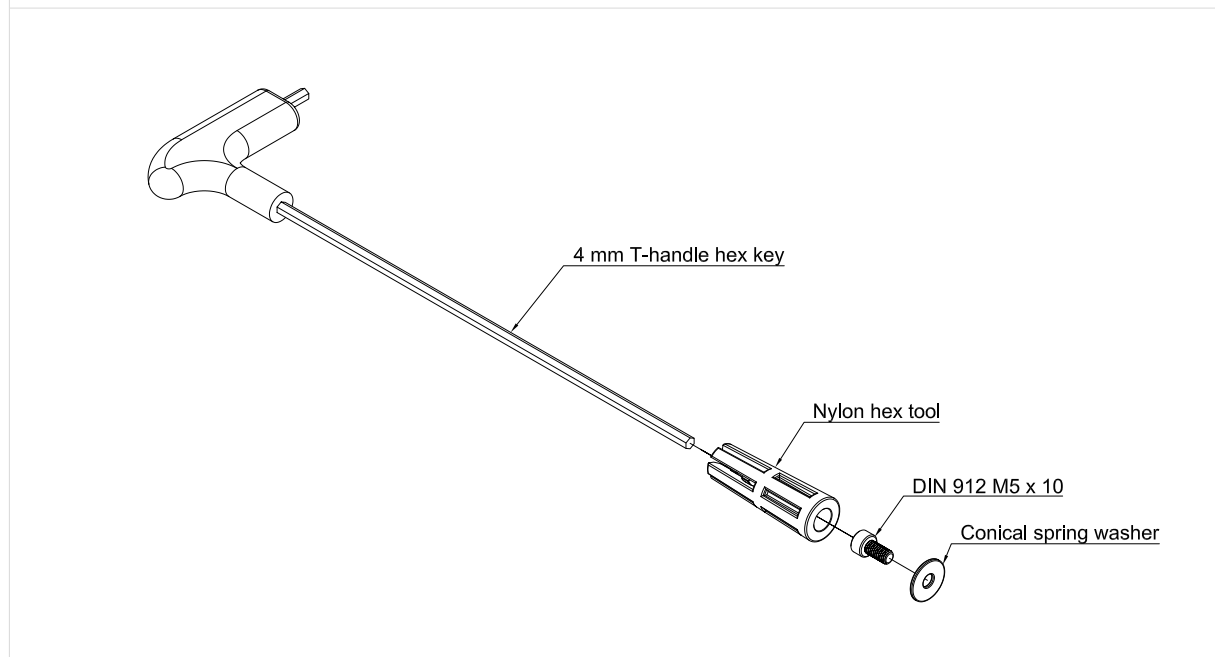


DATASHEET

Product	Tool Hex Key 4 mm	Part number	330100201
Document version	1.0	Document status	Release
Notes			

PRODUCT DESCRIPTION

This tool offers convenience and efficiency, ensuring a smooth assembly and disassembly process for the NXL-100S subframe/driver module.



FEATURES

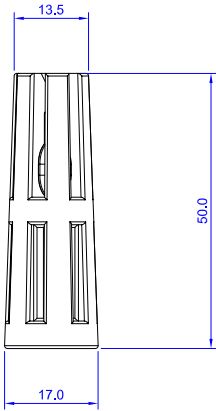
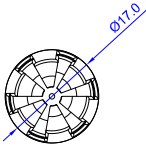
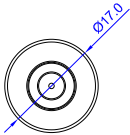
Application	Ideal for assembling or disassembling the subframe/driver module from the NXL-100S Advanced Tunnel Horn Loudspeaker.
Compatibility	Designed for use with a T-handle 4 mm steel hex key.
Functionality	The tool accommodates and clamps a DIN 912 / ISO 4762 M5 cylinder head bolt. These bolts are used to mount the subframe into the NXL-100S.
Purpose	Hold the cylinder head bolts and prevents the steel hex key from 'sticking' to the compression driver due to the strong magnetic field.
Material	Nylon.

TECHNICAL SPECIFICATIONS

MECHANICAL

Dimensions (Length x Diameter)	50 x 17 mm
Weight	6 grams
Material	Nylon
Color	Black
Temperature Range (ambient)	-25 to 70 °C

DRAWINGS

Side view	
Top view	
Bottom view	

DOCUMENT REVISION

1.0	22-07-2024	Start version.
-----	------------	----------------



NXD-Audio B.V.
Koxkampseweg 10
5301 KK Zaltbommel
The Netherlands

