

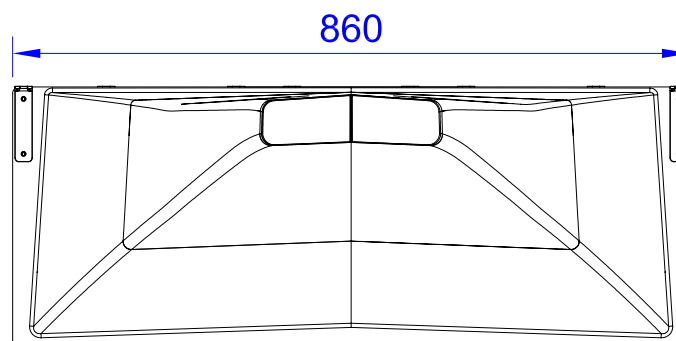
## DRAWINGS

---

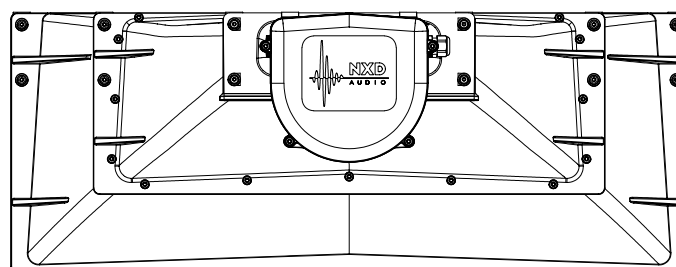
<b>Product</b>	NXL-100S	<b>Part numbers</b>	0200201, 0200203 and 0200205
<b>Document version</b>	1.1	<b>Document status</b>	Release
<b>Notes</b>	Full Height product variant 0200201 = Standard with cable gland on left side (front view) 0200203 = Optional Hirschmann CA 3 GD on left side (front view) 0200205 = Optional Hirschmann CA 3 GD on right side (front view)		

**FRONT VIEW**

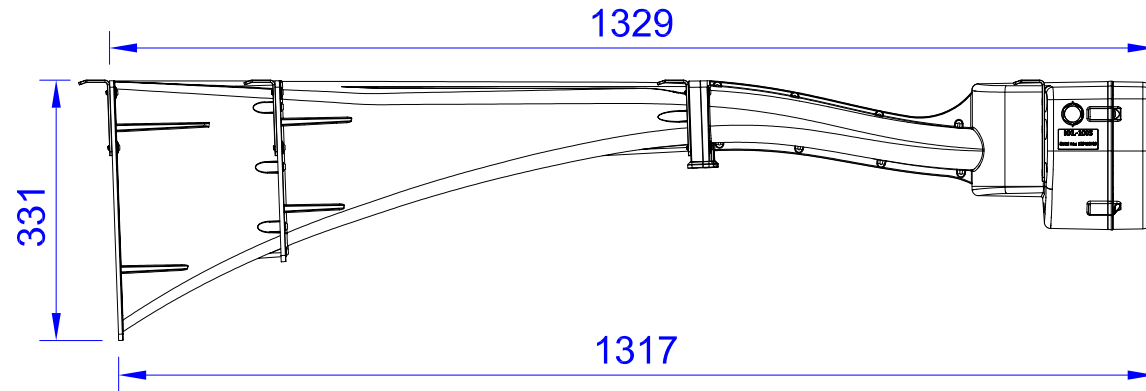
---

**REAR VIEW**

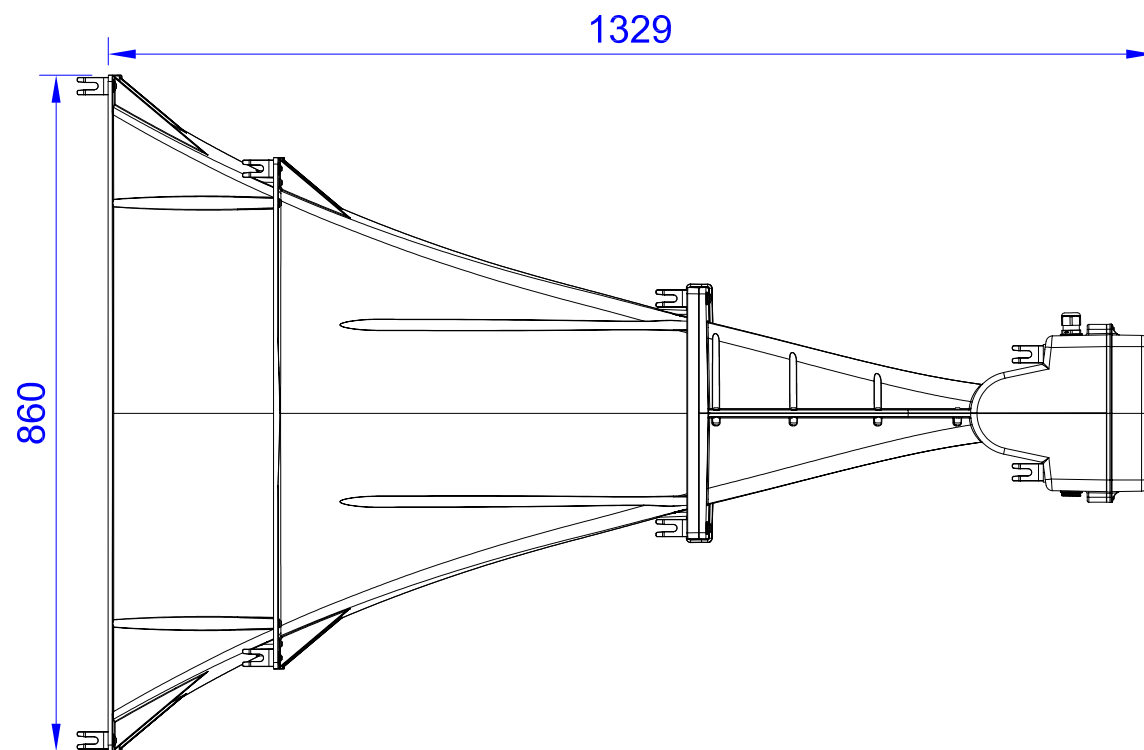
---



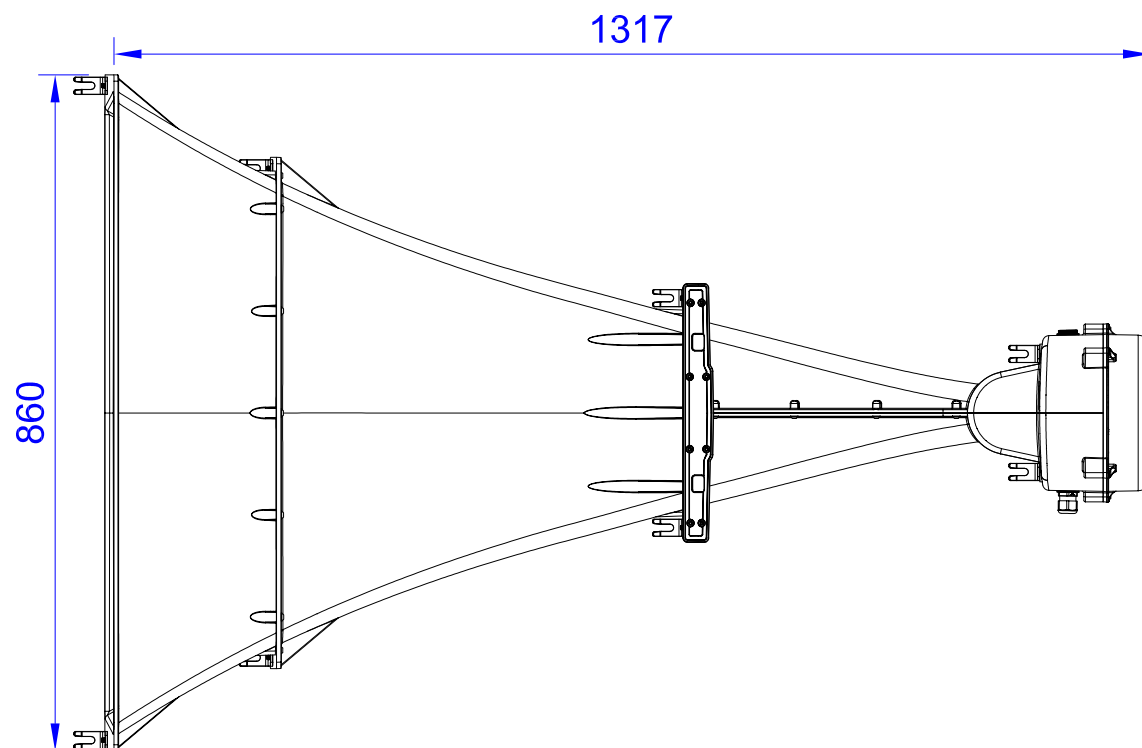
## SIDE VIEW



## TOP VIEW

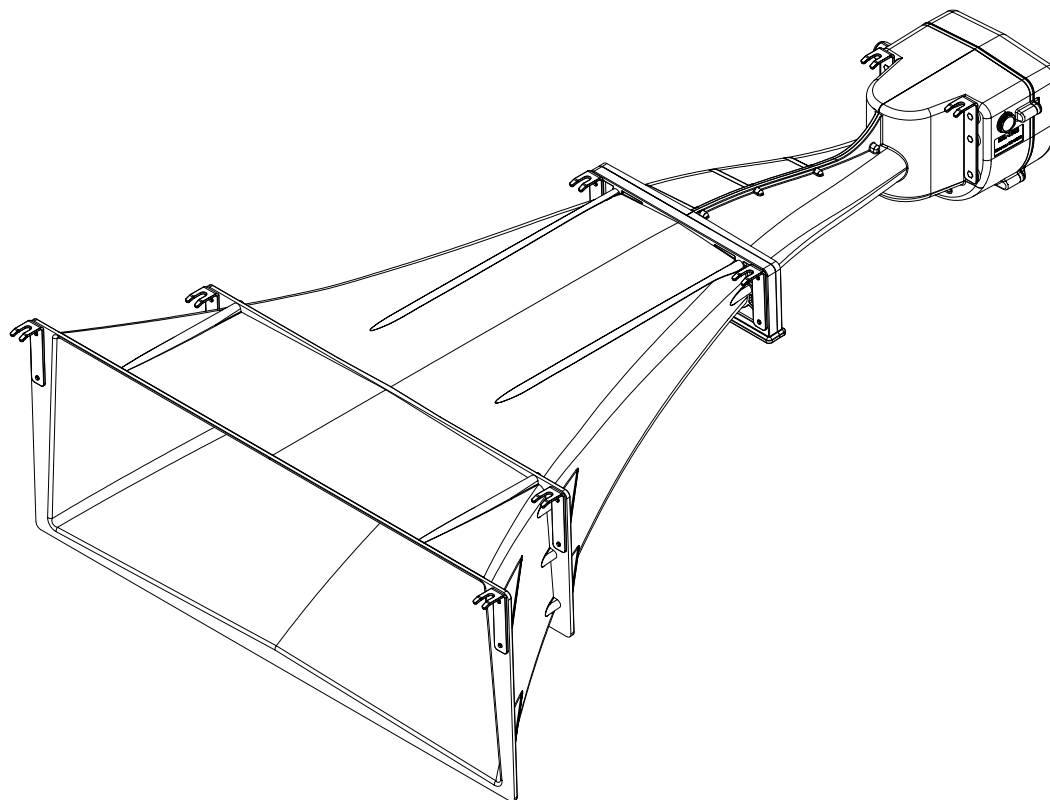


## BOTTOM VIEW

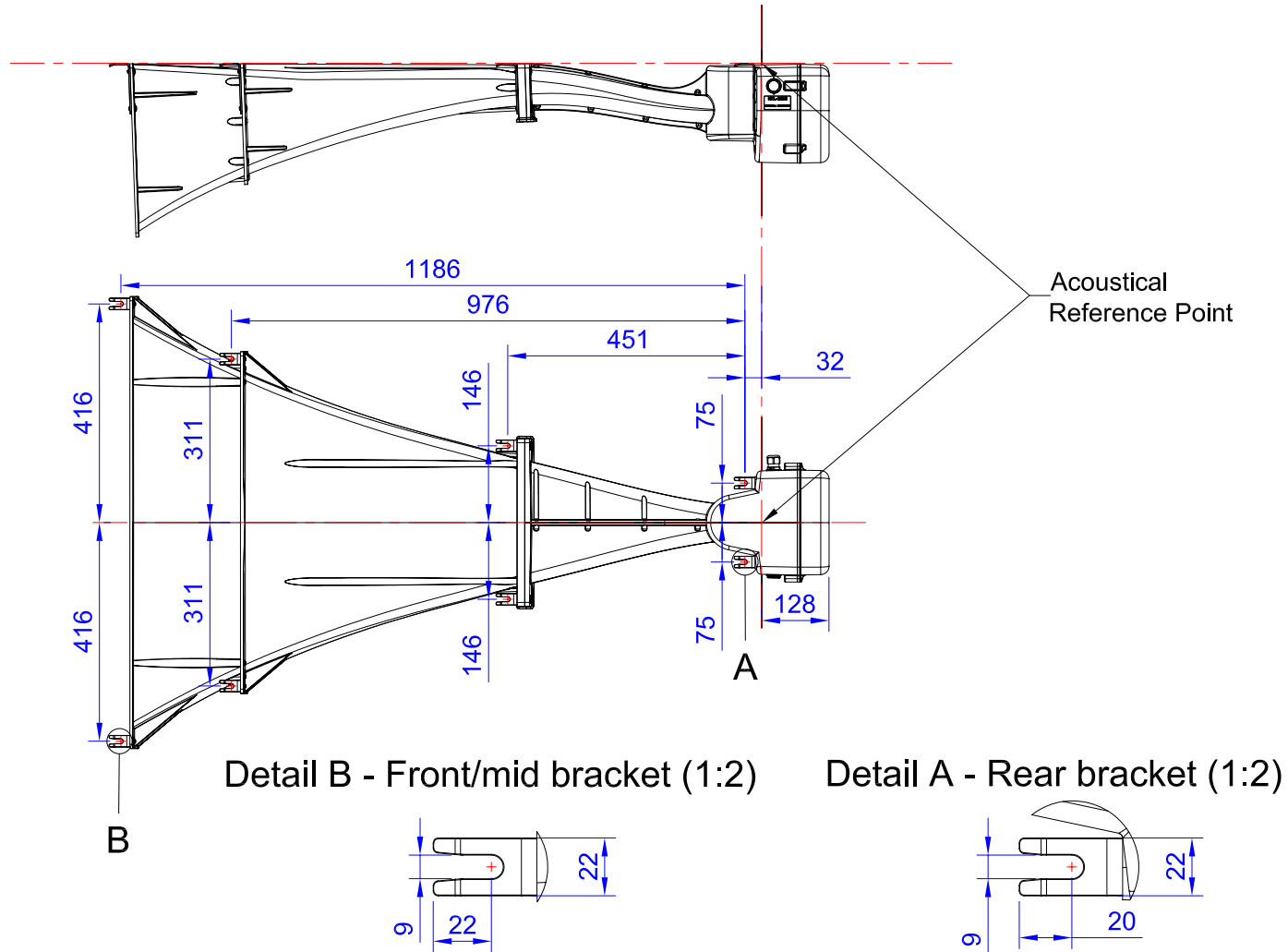


### 3D VIEW

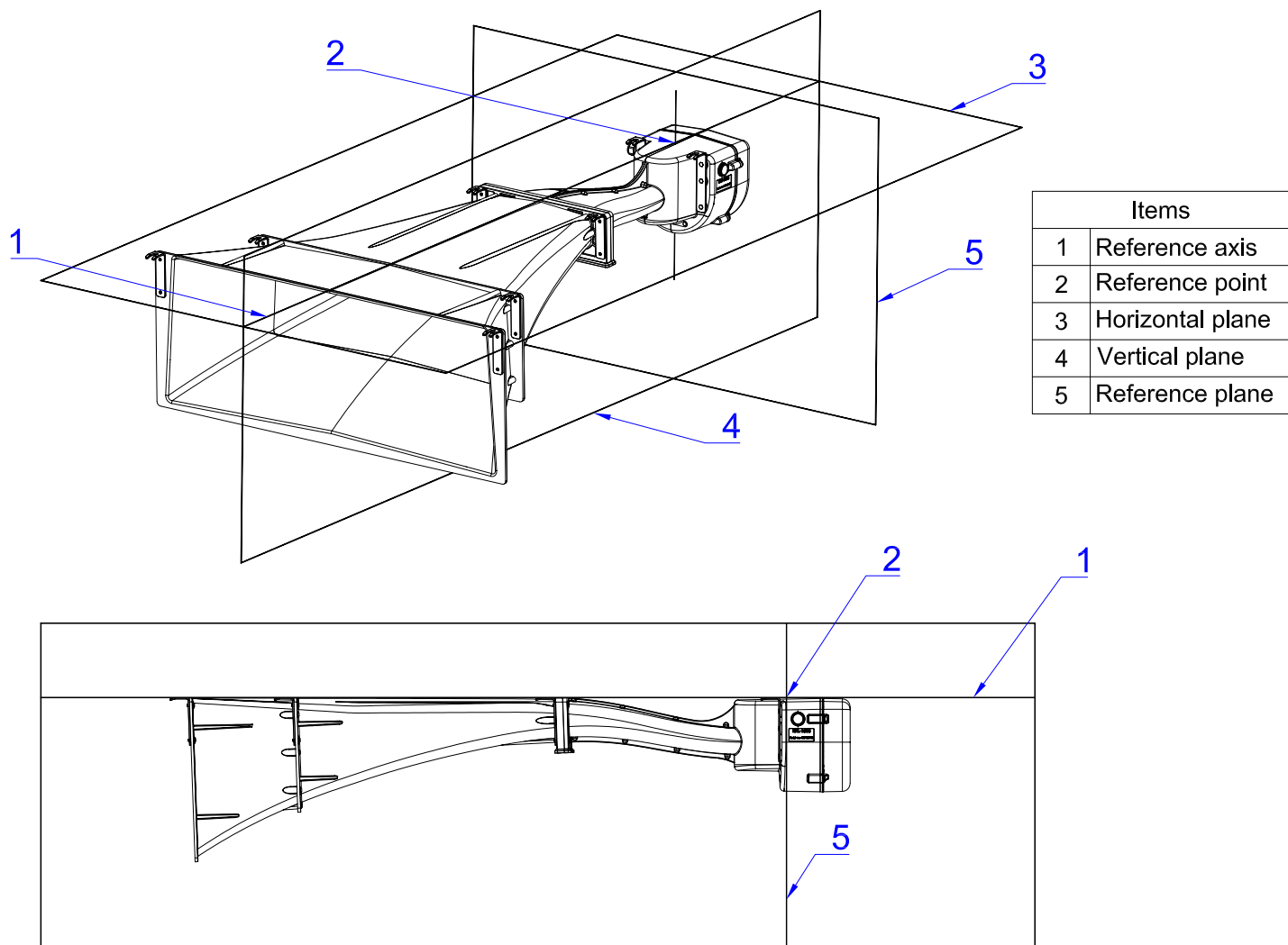
---



# MOUNTING DETAILS



PHYSICAL REFERENCES







## DOCUMENT REVISION

---

0.5	29-04-2022	Start version. All drawings updated to final proto status.
0.6	04-01-2023	All drawings updated to preliminary production status.
1.0	22-08-2023	All drawings updated to release status.
1.1	02-09-2024	Part numbers with Hirschmann CA 3 GD connector added.

	<p>NXD-Audio B.V. Koxkampseweg 10 5301 KK Zaltbommel The Netherland</p>	
---	---	---