

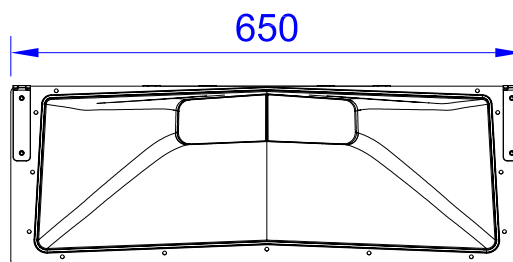
## DRAWINGS

---

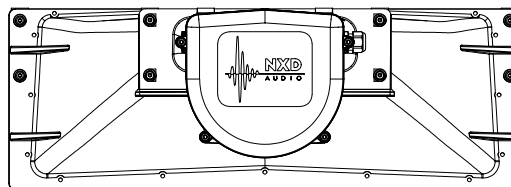
<b>Product</b>	NXL-100S-RH	<b>Part numbers</b>	0200202, 0200204 and 0200206
<b>Document version</b>	1.1	<b>Document status</b>	Release
<b>Notes</b>	Reduced Height (RH) product variant 0200202 = Standard with cable gland on left side (front view) 0200204 = Optional Hirschmann CA 3 GD on left side (front view) 0200206 = Optional Hirschmann CA 3 GD on right side (front view)		

**FRONT VIEW**

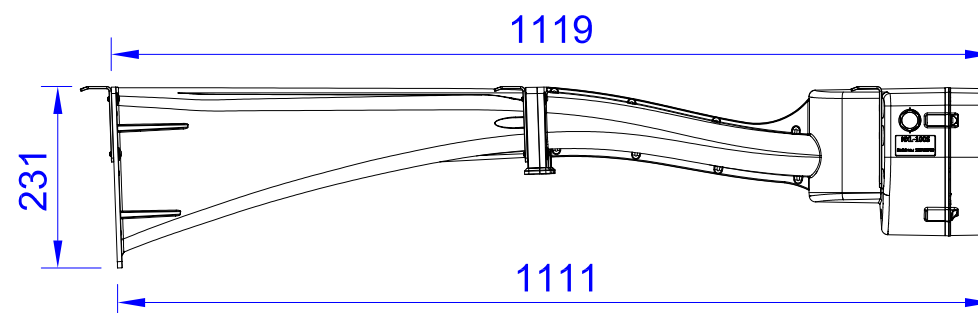
---

**REAR VIEW**

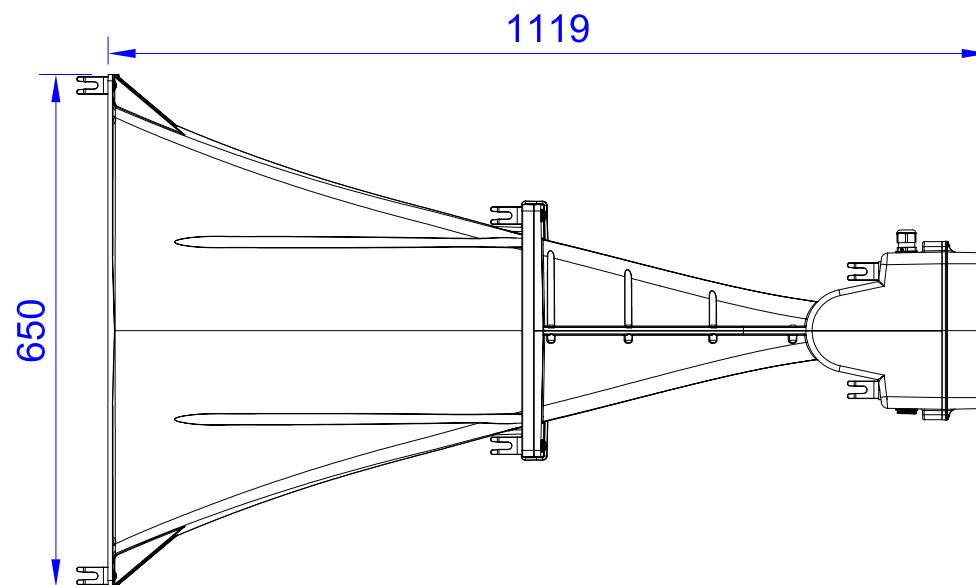
---



## SIDE VIEW

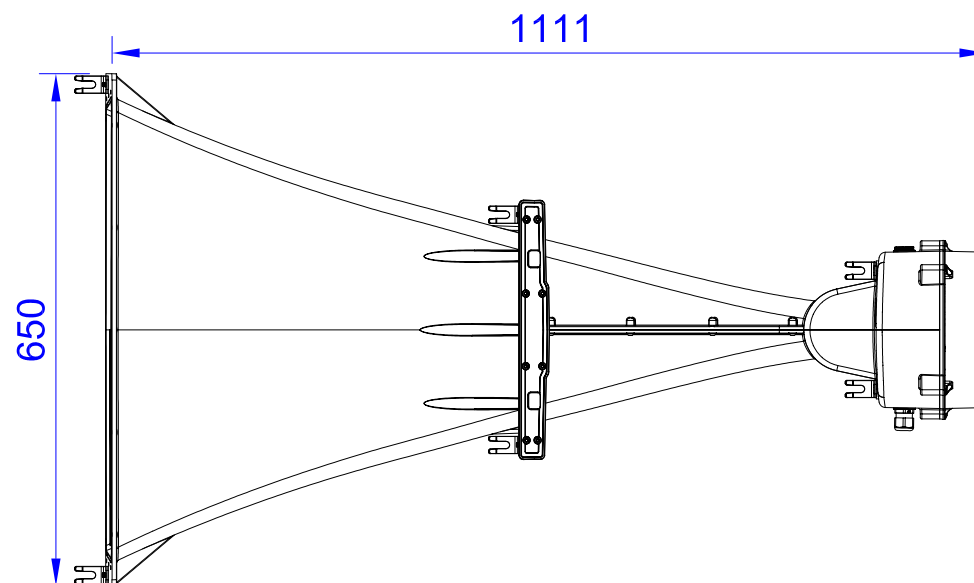


## TOP VIEW



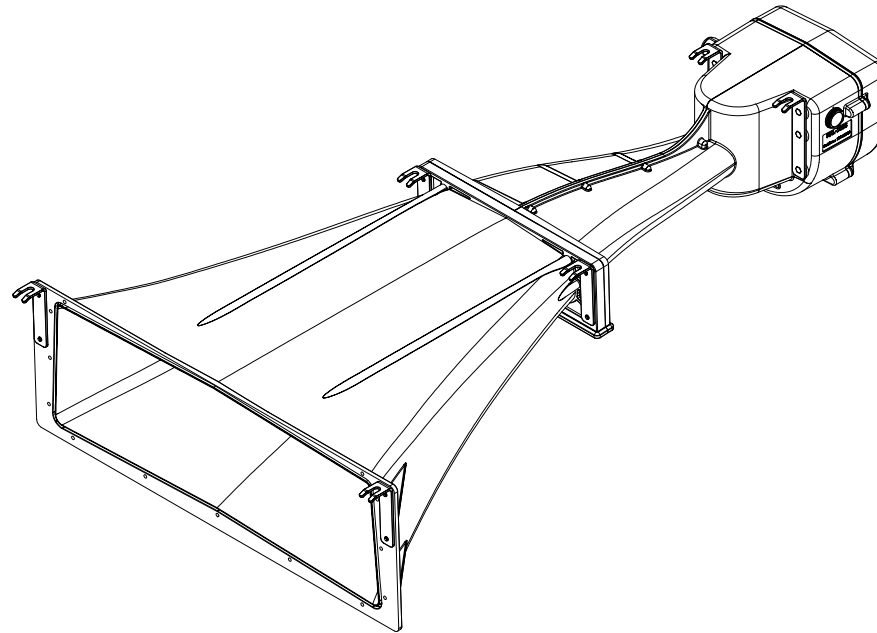
**BOTTOM VIEW**

---

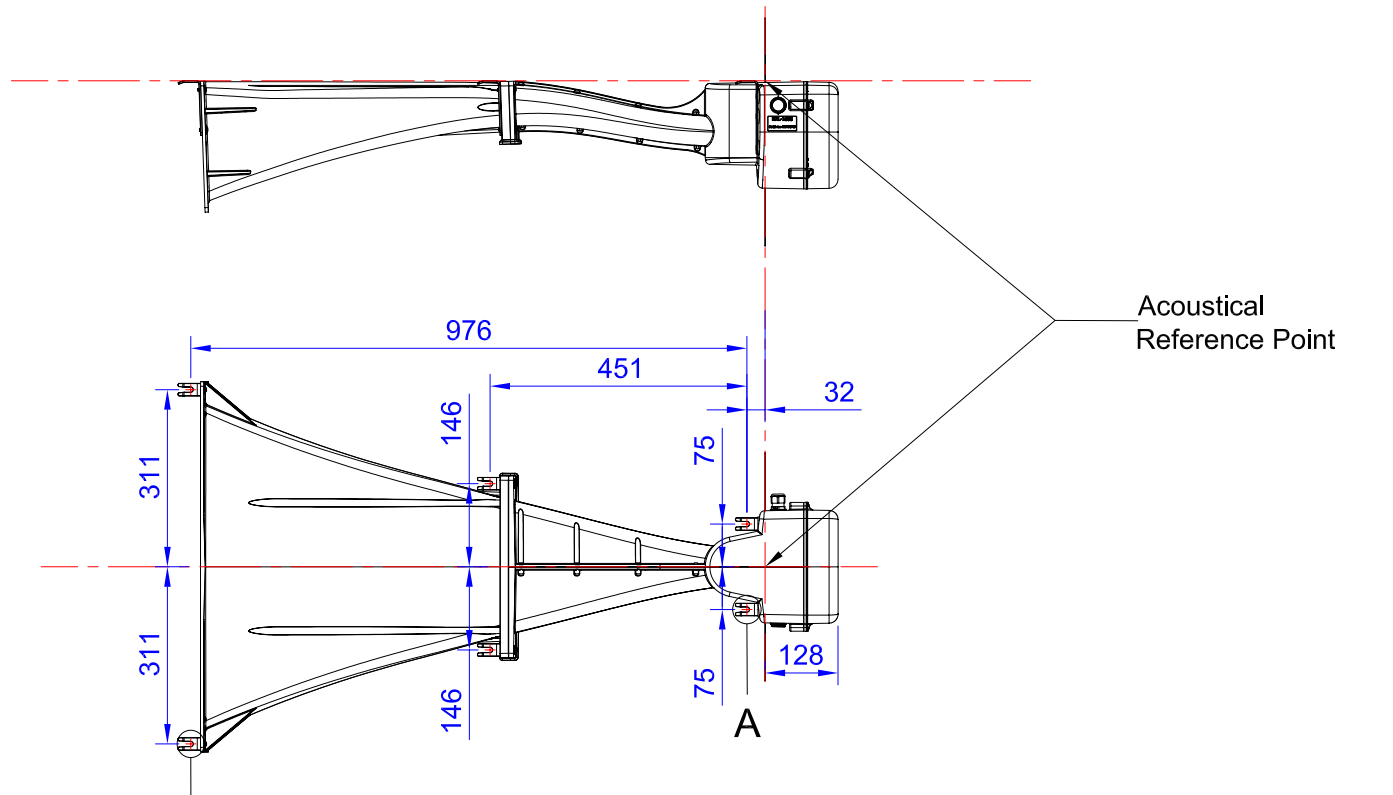


### 3D VIEW

---

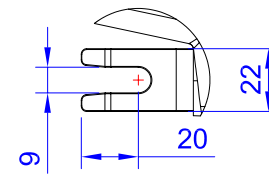
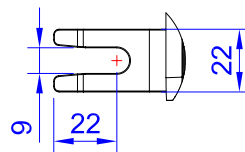


## MOUNTING DETAILS

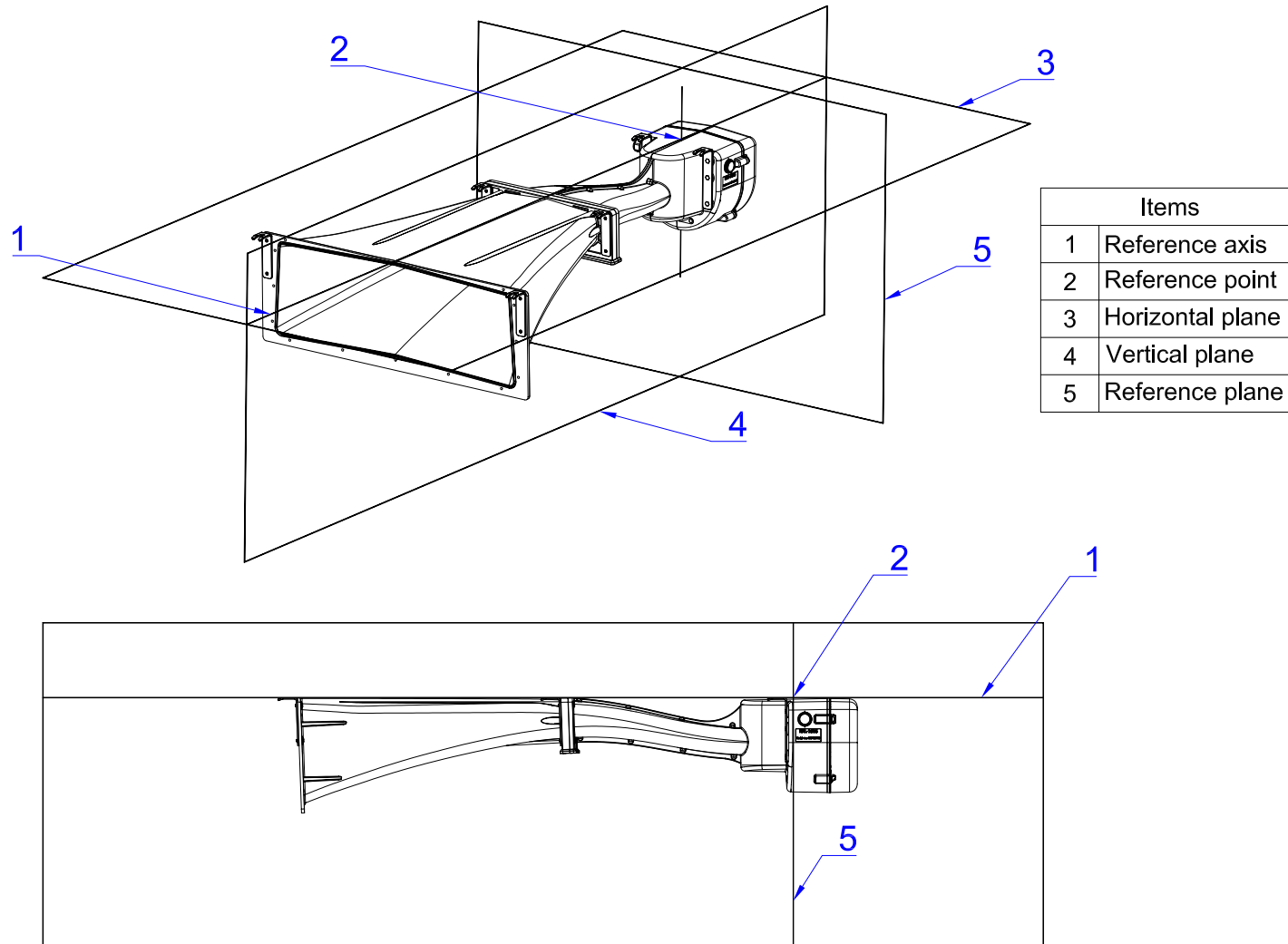


B Detail B - Front/mid bracket (1:2)

Detail A - Rear bracket (1:2)



PHYSICAL REFERENCES







## DOCUMENT REVISION

---

1.0	25-08-2023	Start version. All drawings updated to release status.
1.1	02-09-2024	Part numbers with Hirschmann CA 3 GD connector added.

	<p>NXD-Audio B.V. Koxkampseweg 10 5301 KK Zaltbommel The Netherland</p>	
---	---	---