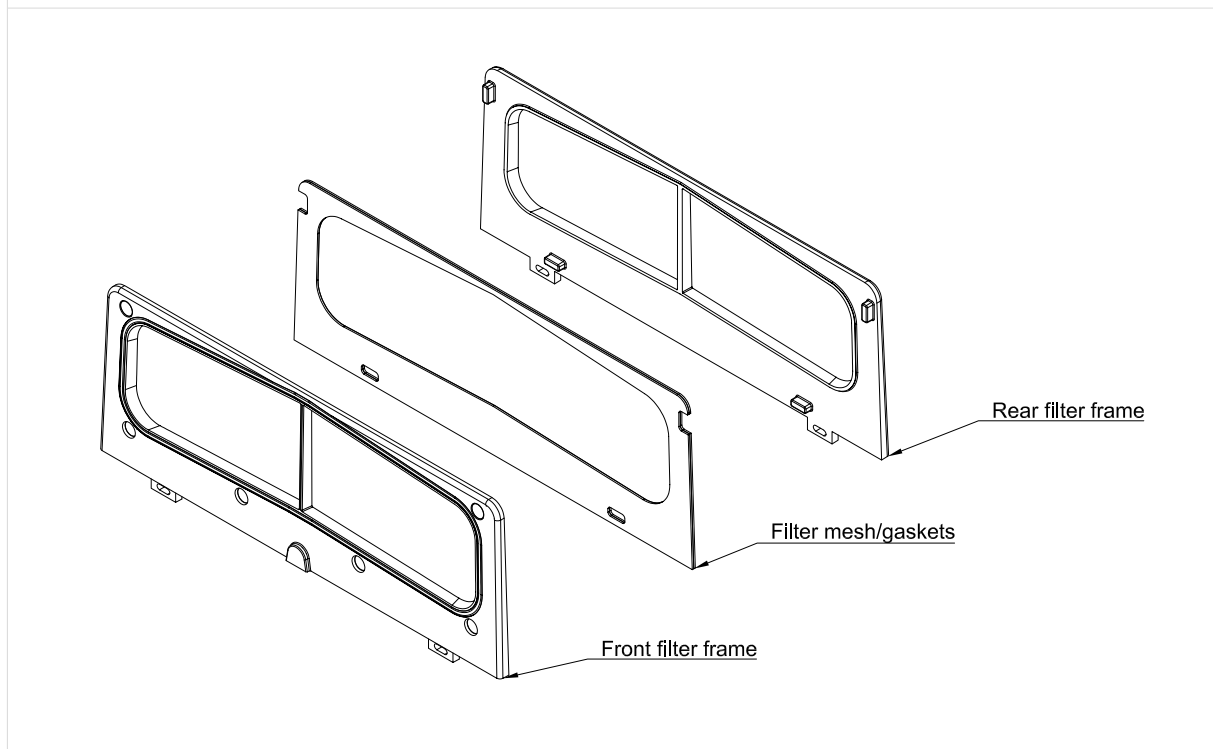


DATASHEET

Product	Filter Mesh	Part number	800270009
Document version	1.0	Document status	Release
Notes			

PRODUCT DESCRIPTION

The filter mesh is a replaceable component of the filter assembly for the NXL-100S Advanced Tunnel Horn Loudspeaker, designed to protect against dust and moisture ingress under normal operating conditions.



FEATURES

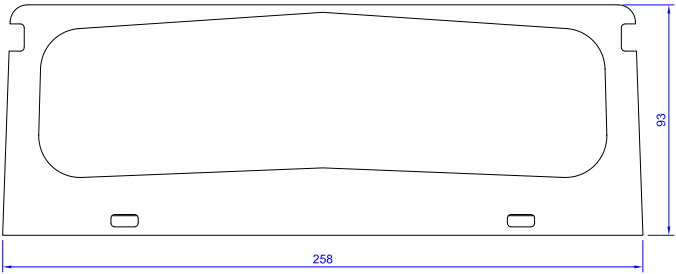
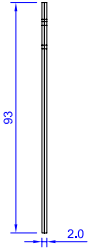
Application	Replacement part for filter maintenance.
Compatibility	Designed for use with the standard NXL-100S front and rear filter frames.
Functionality	Provides effective protection while maintaining a low acoustical insertion loss, ensuring optimal performance of the NXL-100S.
Purpose	The purpose of this filter is to prevent dust and moisture ingress during normal operating conditions of the NXL-100S.
Material	Constructed from a stainless steel mesh with a hydrophobic and dust-repellent coating, sandwiched between two flat Neoprene/CR closed-cell rubber gaskets.

TECHNICAL SPECIFICATIONS

MECHANICAL

Dimensions (Width x Height x Thickness)		258 x 93 x 2 mm
Weight		9 grams
Material	Mesh	Coated stainless steel
	Gasket	Neoprene closed-cell rubber
Color	Mesh	Green
	Gasket	Black
Temperature Range (ambient)		-25 to 70 °C

DRAWINGS

<p>Front view</p>	
<p>Side view</p>	

DOCUMENT REVISION

1.0	17-09-2024	Start version.
-----	------------	----------------



NXD-Audio B.V.
Koxkampseweg 10
5301 KK Zaltbommel
The Netherlands

