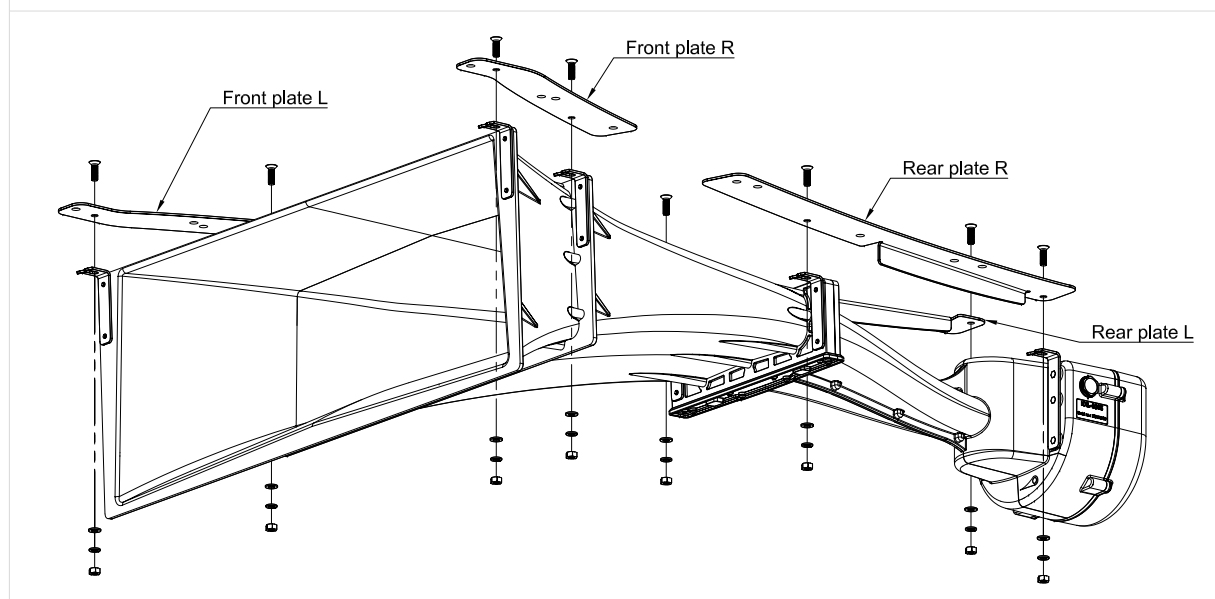


DATASHEET

Product	ABF Compatible Mounting Plates Set	Part number	08500210
Document version	1.1	Document status	Release
Notes			

PRODUCT DESCRIPTION

This ABF Compatible Mounting Plates Set facilitates a seamless transition from the ABF-260* to the NXL-100S, providing a reliable and efficient solution that preserves existing mounting configurations.



FEATURES

Application	Enables the mounting of the NXL-100S Advanced Tunnel Horn Loudspeaker on existing ABF-compatible positions.
Compatibility	Designed to fit the mounting hole patterns of both the ABF-260 polyester version and the ABF-260 PA6 V0.
Functionality	This set of plates is installed on top of the existing NXL-100S mounting brackets, aligning with the ABF-260 mounting positions. All standard NXL-100S mounting brackets must be installed before using this kit.
Purpose	Allows for the replacement of the ABF-260 with the NXL-100S without the need to drill new mounting holes.
Material	Constructed from stainless steel (AISI 316) plates and A4 fasteners for durability and corrosion resistance.

* Product names ABF-260 and ABF-260 PA6 V0 mentioned in this document are the property of their respective owners. The use of these names is solely for identification and reference purposes. NXD-Audio BV does not claim any ownership of the trademarked names mentioned.

TECHNICAL SPECIFICATIONS

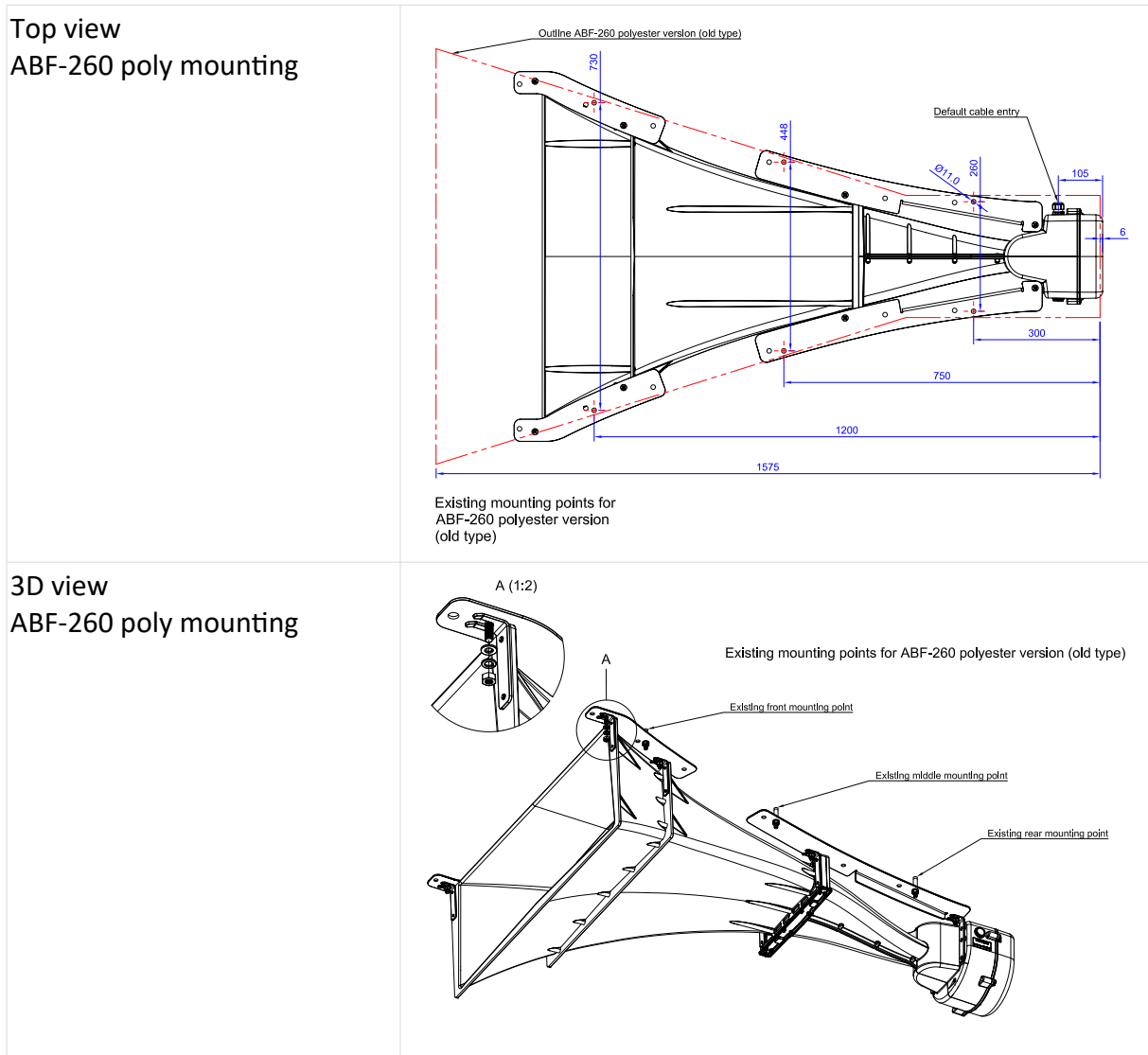
MECHANICAL

Dimensions (L x W x H)	Front plate ¹	375 x 79 x 3 mm
	Rear plate ²	692 x 90 x 31 mm
Weight ³	Front plate	0.6 kg
	Rear plate	1.2 kg
	Set	3.6 kg
Material	Stainless Steel AISI 316	
Color	Metal	

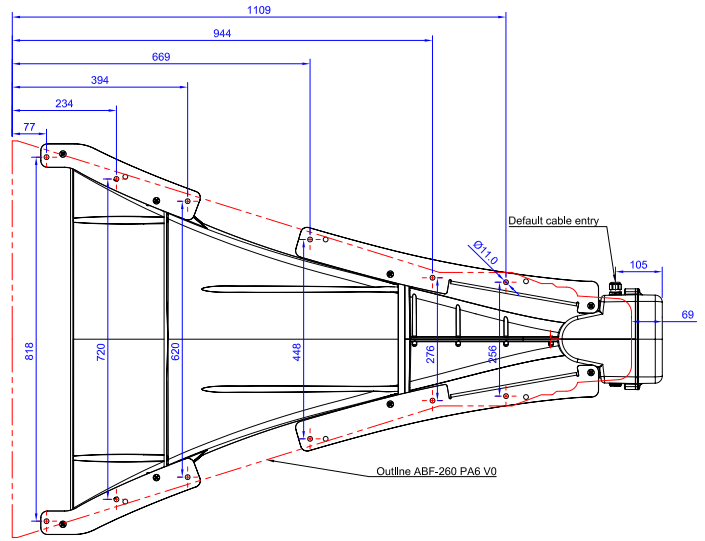
NOTES

- 1 Curved 3 mm thick flat plate, minimum rectangular bounding box dimensions.
- 2 Curved 3 mm thick folded plate, minimum rectangular bounding box dimensions.
- 3 Including fasteners.

DRAWINGS

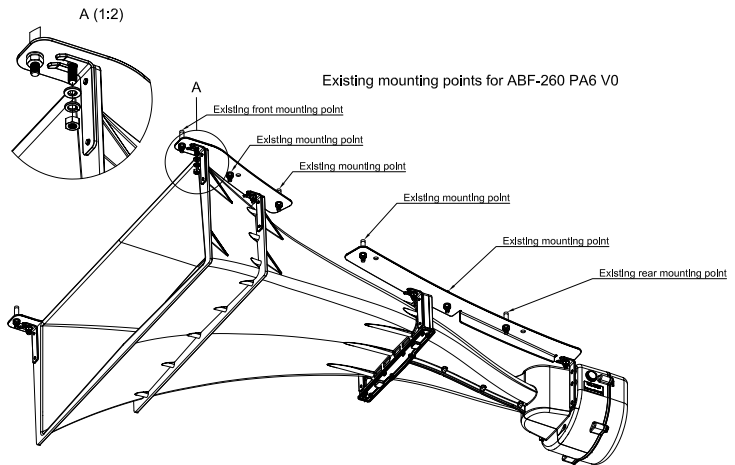


Top view
ABF-260 PA6 V0 mounting



Existing mounting points for ABF-260 PA6 V0

3D view
ABF-260 PA6 V0 mounting



Existing mounting points for ABF-260 PA6 V0

DOCUMENT REVISION

1.0	21-08-2024	Start version.
1.1	24-09-2024	Design changes, countersunk DIN 965 (pre-production changes).



NXD-Audio B.V.
Koxkampseweg 10
5301 KK Zaltbommel
The Netherlands

