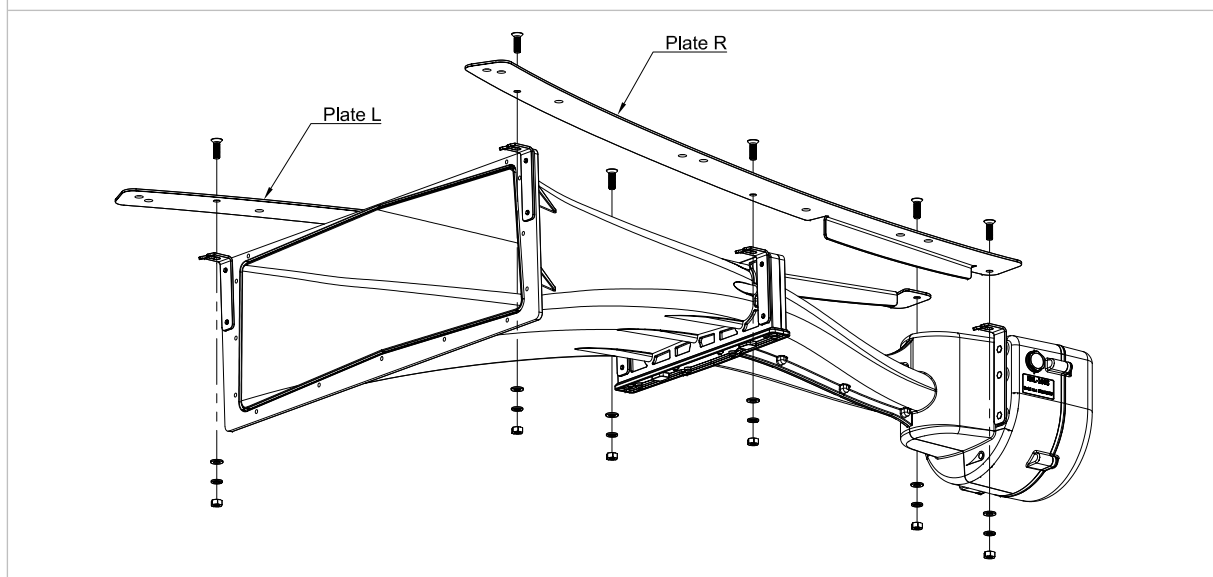


DATASHEET

Product	ABF Compatible Mounting Plates Set RH	Part number	08500220
Document version	1.0	Document status	Preliminary
Notes	For NXL-100S-RH (Reduced Height variant)		

PRODUCT DESCRIPTION

This ABF Compatible Mounting Plates Set RH facilitates a seamless transition from the ABF-260* to the NXL-100S-RH, providing a reliable and efficient solution that preserves existing mounting configurations.



FEATURES

Application	Enables the mounting of the NXL-100S-RH Advanced Tunnel Horn Loudspeaker on existing ABF-compatible positions.
Compatibility	Designed to fit the mounting hole patterns of both the ABF-260 polyester short version and the ABF-260 PA6 V0 Low Profile.
Functionality	This set of plates is installed on top of the existing NXL-100S-RH mounting brackets, aligning with the ABF-260 mounting positions.
Purpose	Allows for the replacement of the ABF-260 with the NXL-100S-RH without the need to drill new mounting holes.
Material	Constructed from stainless steel (AISI 316) plates and A4 fasteners for durability and corrosion resistance.

* Product names ABF-260 and ABF-260 PA6 V0 mentioned in this document are the property of their respective owners. The use of these names is solely for identification and reference purposes. NXD-Audio BV does not claim any ownership of the trademarked names mentioned.

TECHNICAL SPECIFICATIONS

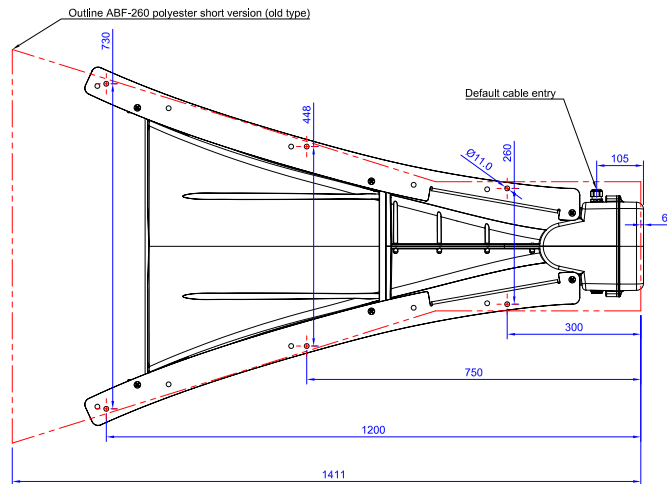
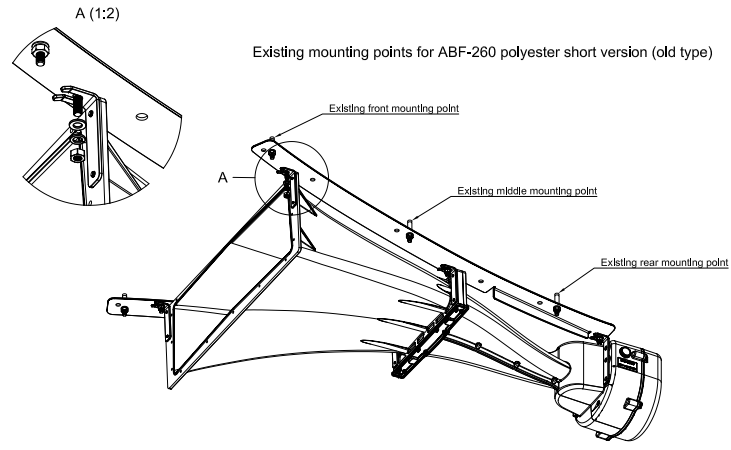
MECHANICAL

Dimensions (L x W x H)	Right and Left plate ¹	1147 x 114 x 31 mm
Weight ²	Right and Left plate	1.9 kg
	Set	3.8 kg
Material		Stainless Steel AISI 316
Color		Metal

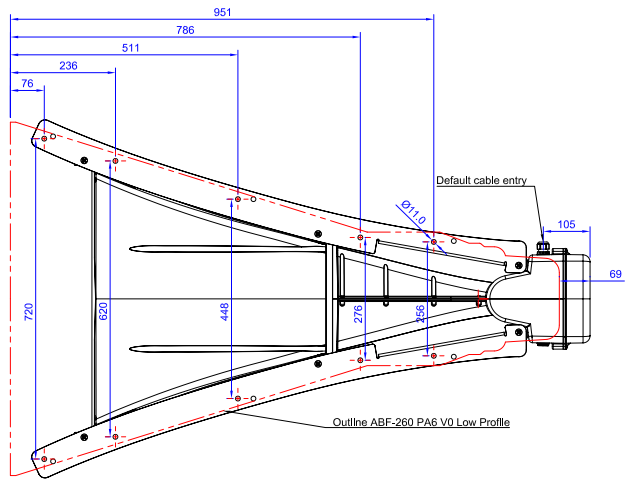
NOTES

- 1 Curved 3 mm thick folded plate, minimum rectangular bounding box dimensions.
- 2 Including fasteners.

DRAWINGS

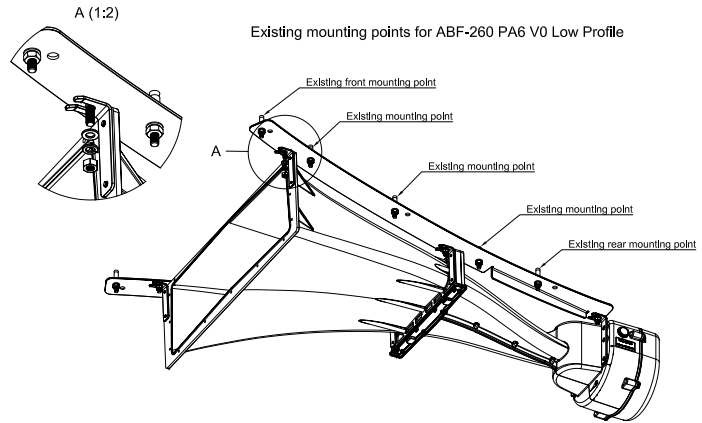
<p>Top view ABF-260 poly short mounting</p>	 <p>Existing mounting points for ABF-260 polyester short version (old type)</p>
<p>3D view ABF-260 poly short mounting</p>	 <p>Existing mounting points for ABF-260 polyester short version (old type)</p>

Top view
 ABF-260 PA6 V0 Low Profile
 mounting



Existing mounting points for
 ABF-260 PA6 V0 Low Profile

3D view
 ABF-260 PA6 V0 Low Profile
 mounting



DOCUMENT REVISION

1.0	14-02-2025	Start version.
-----	------------	----------------



NXD-Audio B.V.
Koxkampseweg 10
5301 KK Zaltbommel
The Netherlands

